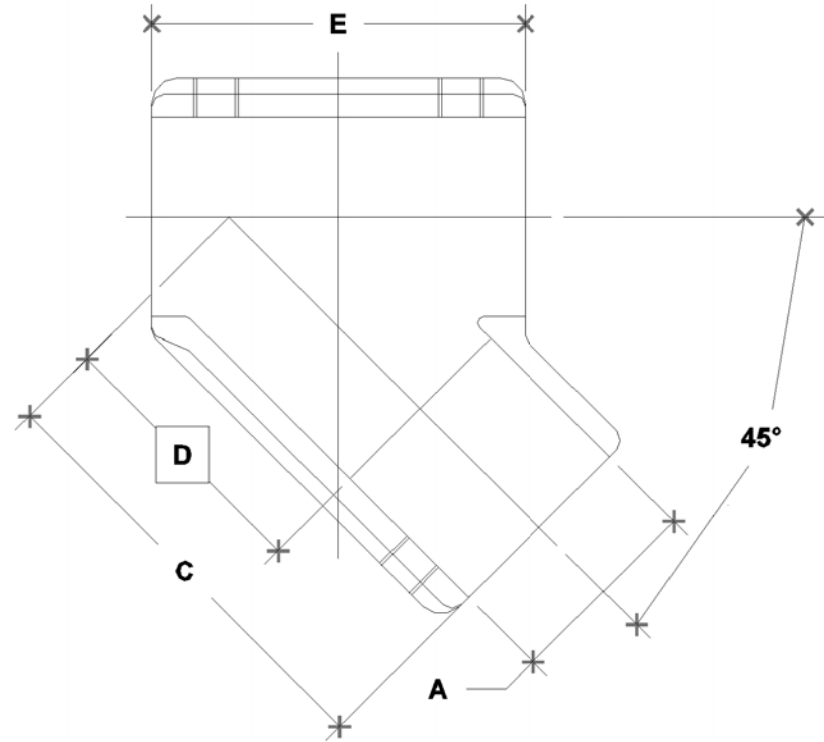
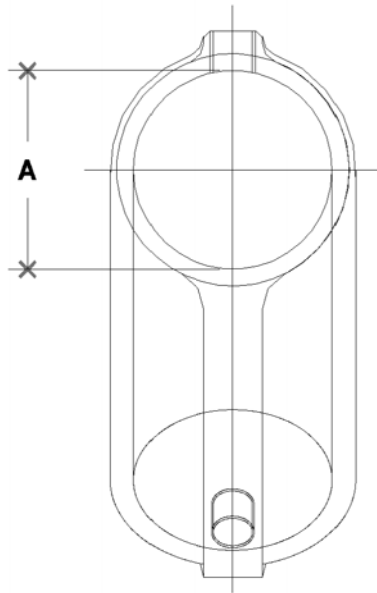


NOTE: DIMENSIONS LOCATED IN BOXES ARE COMMON
SETBACK DIMENSIONS FOR EACH FITTING



#6 Angle Tee (45°)

SCALE: HALF

ENGLISH UNITS (Inches)							
PIPE SIZE	A	B	C	D	E	F	G
1½"	1.93		4.25	2.63	3.56		
1¼"	1.68		3.75	2.25	3.19		

METRIC UNITS (mm)							
PIPE SIZE	A	B	C	D	E	F	G
1½"	49		108	67	90		
1¼"	43		95	57	81		