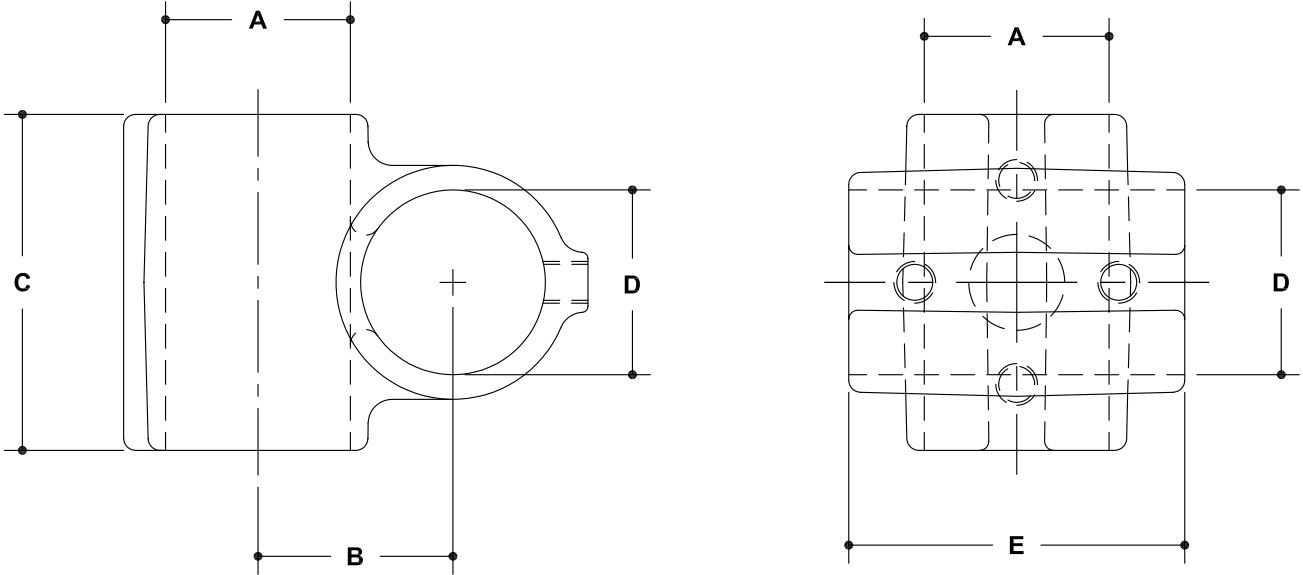


NOTE: DIMENSIONS LOCATED IN BOXES ARE COMMON
SETBACK DIMENSIONS FOR EACH FITTING



#10-78 Offset Cross

SCALE: HALF

ENGLISH UNITS (Inches)							
PIPE SIZE	A	B	C	D	E	F	G
1-1/2"	1.93	1.91	3.50				
1-1/4"				1.68	3.50		

METRIC UNITS (mm)							
PIPE SIZE	A	B	C	D	E	F	G
1-1/2"	49	49	89				
1-1/4"				43	89		